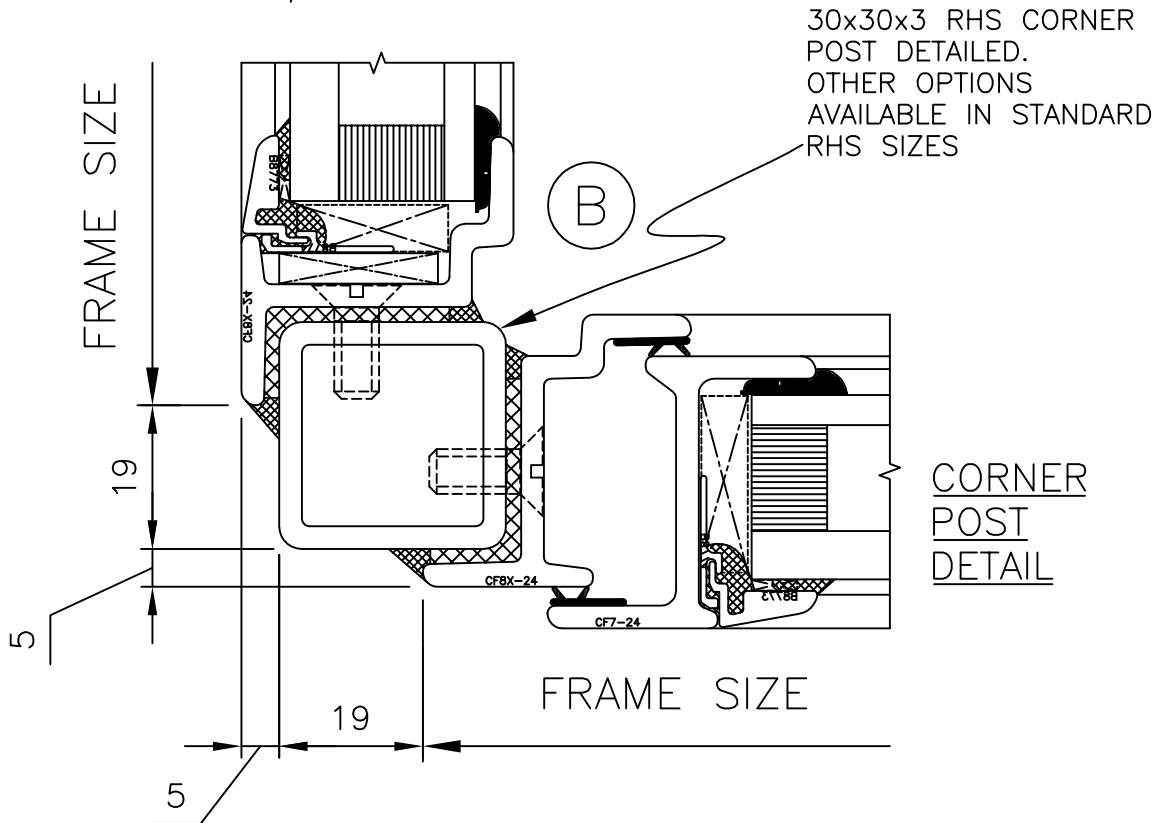
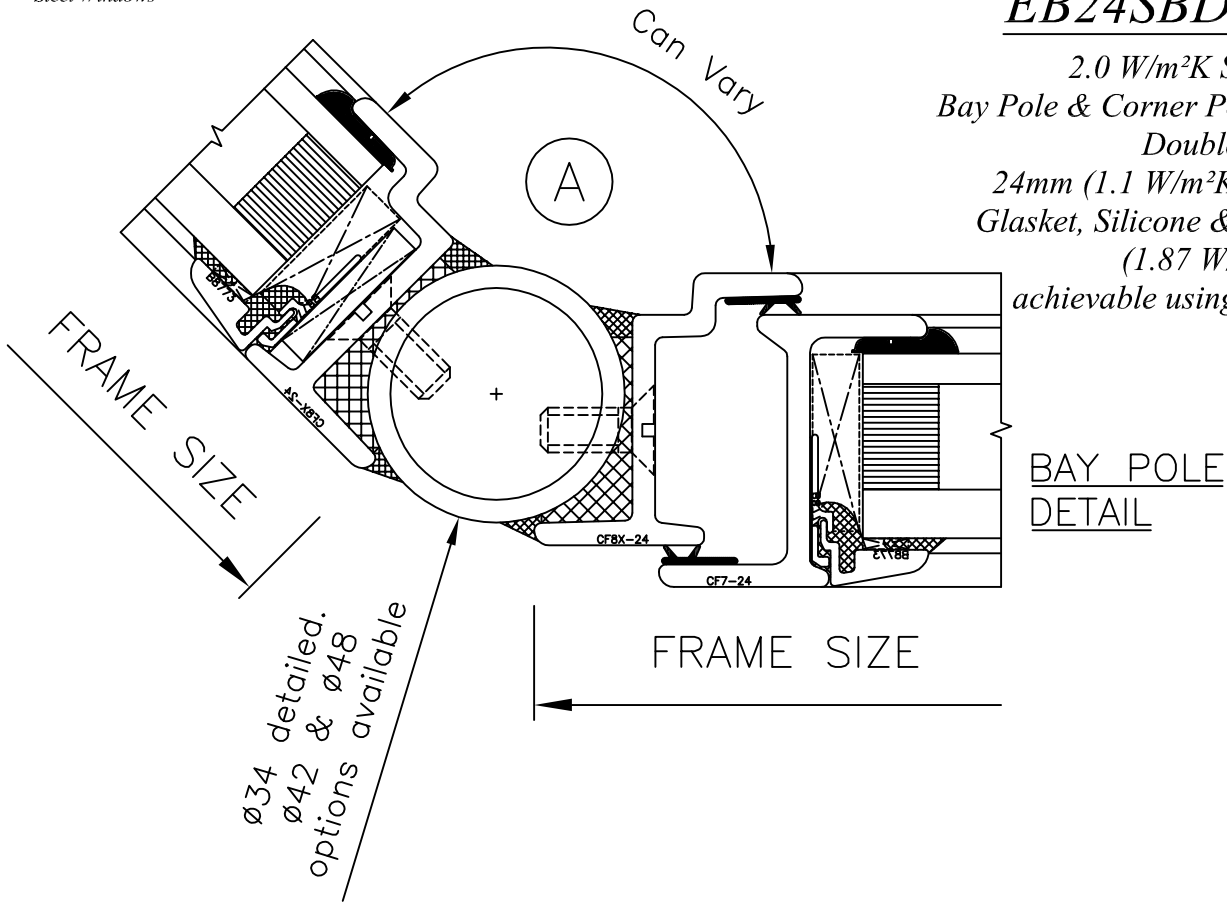


EB24SBD Section

2.0 W/m²K SBD Windows.
Bay Pole & Corner Post Couplings.
Double Glazed with
24mm (1.1 W/m²K) Units Using
Glasket, Silicone & Alu'm Beads.
(1.87 W/m²K windows
achievable using W.E.T. units)



FULL SIZE DETAILS

