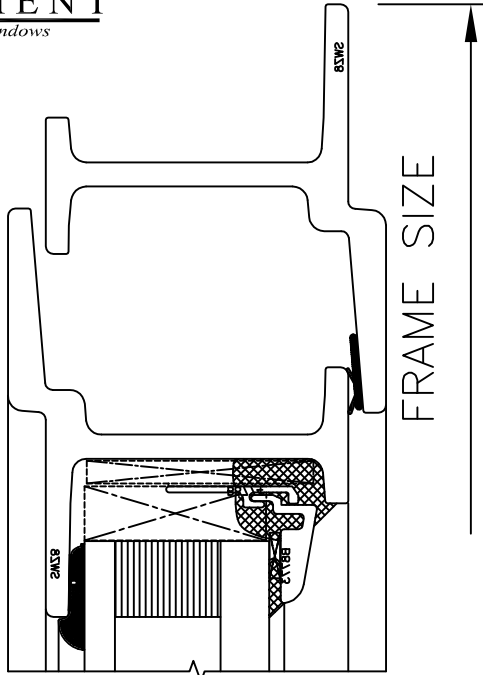


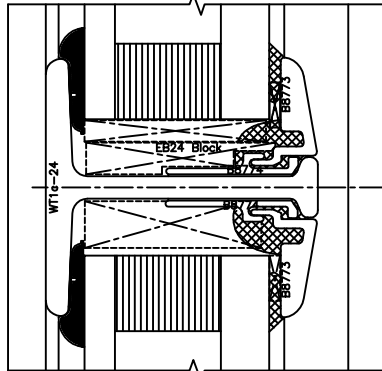
EB24HS Door

2.0 W/m²K High Security Doors.
Open-In
UnEqual Leg.
Double Glazed with 24mm
(1.1 W/m²K) Safety Units Using
Glasket, Silicone & Alu'm Beads.

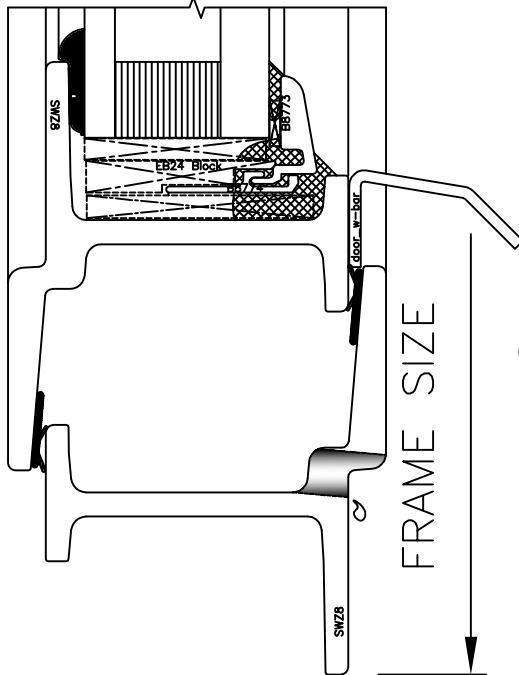
(A)



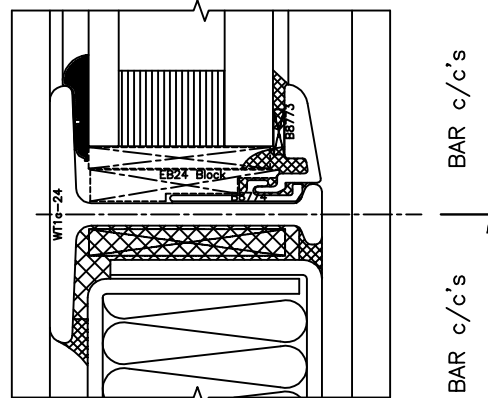
(B)



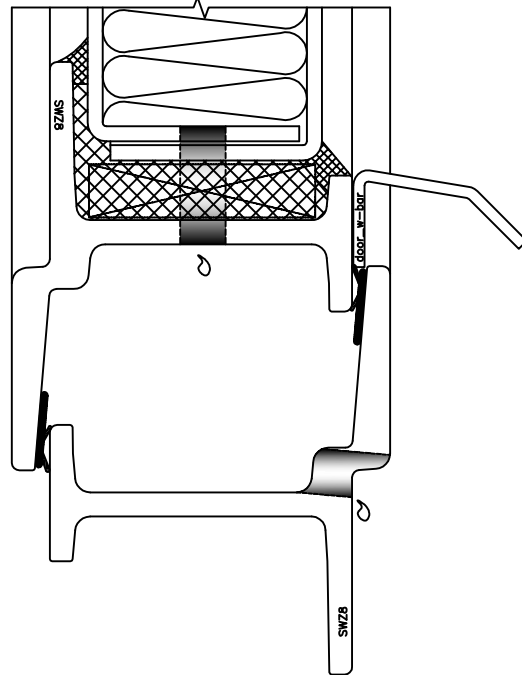
(C)



(D)



(E)



OPEN-IN DOORS

FULL SIZE DETAILS
0 5 10 15 20 25 30 mm



(31.4) Xh2
CSW B83HSD
July 2007