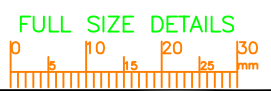
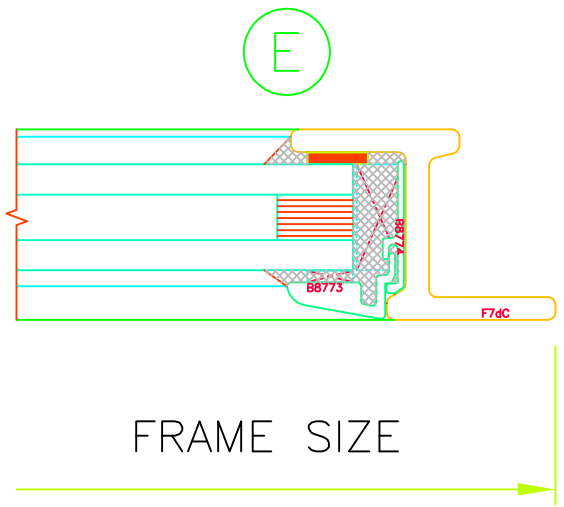
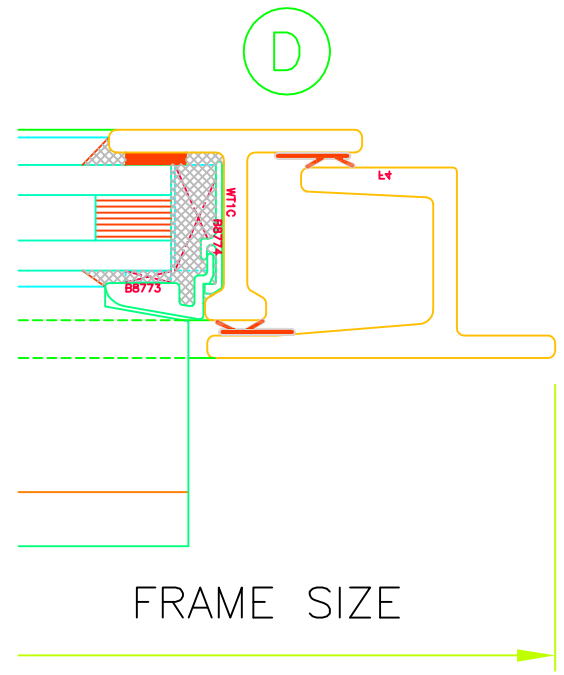
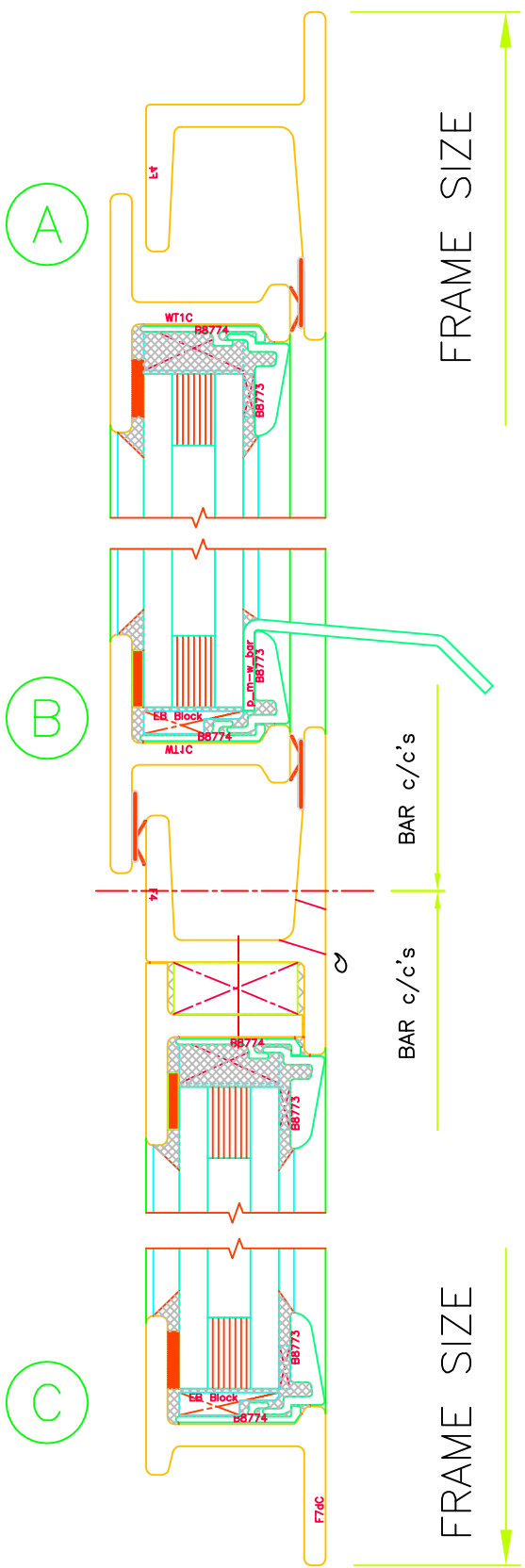
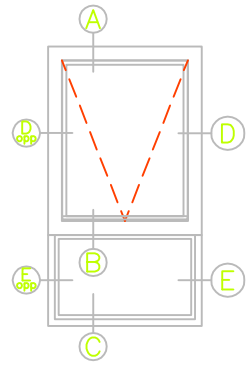



EB14 Section

Windows
UnEqual Leg
Site Double Glazed
with 14mm Units
Using Glasket,
Silicone & Alu'm Beads

CSW B06
September 2006